

CRL Elegant Series Custom Round Partition Posts

- 1-1/2" (38.1 mm) and 2" (50.8 mm) Square Tubing for Use with 1/4" (6 mm), 3/8" (10 mm) or 1/2" (12 mm) Glazing
- Heights of Posts Can Be Customized
- Available in Polished Stainless Steel, Brushed Stainless Steel, and Polished Brass

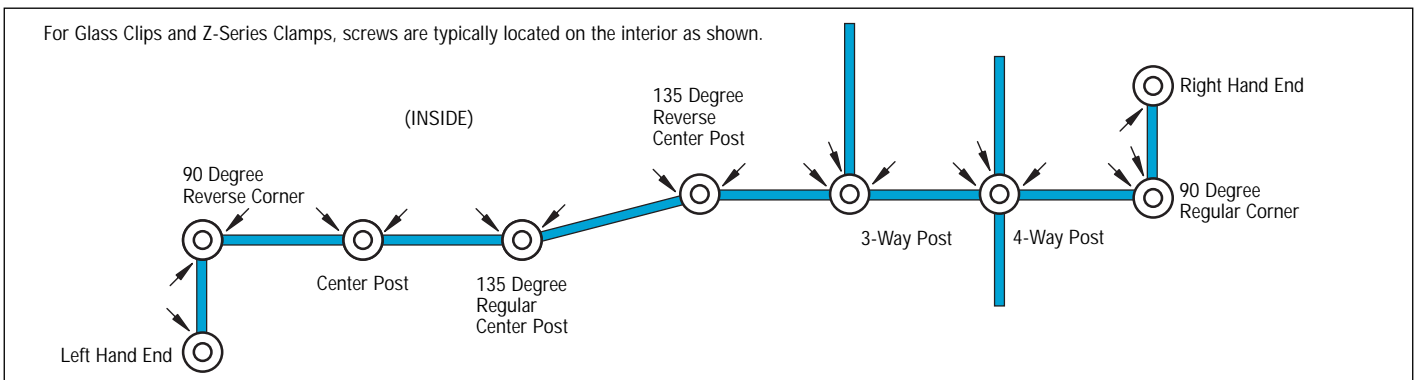


Maximum Recommended Glass Span: 1/4" (6 mm) glass is 42" (1066 mm); 3/8" (10 mm) glass is 56" (1422 mm); 1/2" (12 mm) glass is 72" (1829 mm)

<p>1/4" (6 mm) 3/8" (10 mm)</p> <p>U-Channel for 1-1/2" or 2" Tubing</p>	<p>Round Square</p> <p>1/4" 3/8" 1/2"</p> <p>(6 mm) (10 mm) (12 mm)</p> <p>Z-Series Clamp for 2" Tubing Only</p>	<p>1/4" (6 mm) 3/8" (10 mm)</p> <p>Glass Clips for 1-1/2" or 2" Tubing</p>	<p>1/4" (6 mm) to 3/8" (10 mm)</p> <p>Slotted Standoff Clip for 1-1/2" (38.1 mm) Tubing Only</p>
<p>Ball Flat Dome</p> <p>End Caps for 1-1/2" or 2" Tubing</p>	<p>Full Flange Cut Flange Steel Flange and Canopy Concealed Base Lug</p> <p>Mounting Base for 1-1/2" or 2" Tubing</p>		<p>Welded Mounting Base</p> <p>for 1-1/2" or 2" Tubing</p> <p>Used with Full Length U-Channel</p>

In addition to our pre-fabricated posts CRL offers an extensive line of Custom Fabricated Posts. They are available in 1-1/2" (38.1 mm) or 2" (50.8 mm) diameter tubing. Finishes include Brushed Stainless, Polished Brass, Polished Stainless, and Powder-Coated. Different glass attachments (U-Channel, Z-Clamps, Glass Clips or End Load Slotted Standoffs) in various glass thicknesses are available. A selection of Caps and Bases let you design posts to match your décor. A Sequential Quote/Order Sheet is provided on the next page to assist in your selection.

Plan View of Divider Assembly Showing Post Placement

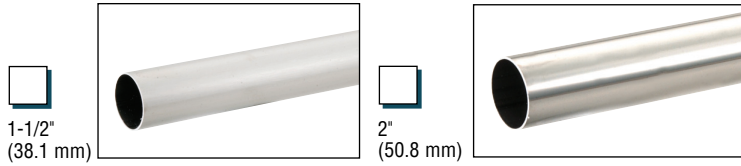


LOG ON TO crlaurence.com FOR BUSINESS-TO-BUSINESS SERVICES

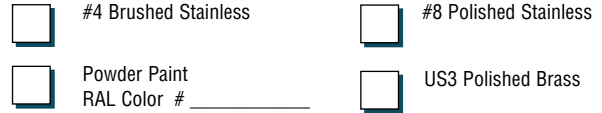
P148 | PHONE (800) 421-6144 | FAX (800) 262-3299 TOLL FREE FROM ANYWHERE IN THE U.S.A. OR CANADA

CRL Elegant Series Round Custom Partition Posts Order Form - Page 1 of 2

SELECT TUBING DIAMETER



SELECT A FINISH



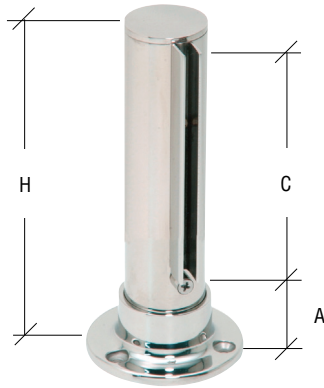
This form is also available online at crlaurence.com.

POST STYLE AND DIMENSIONS

Channel with Bottom Air Space

- 1/4" (6 mm) Channel
- 3/8" (10 mm) Channel

H = Post Height _____"
C = Channel Length _____"
A = Air Space _____"

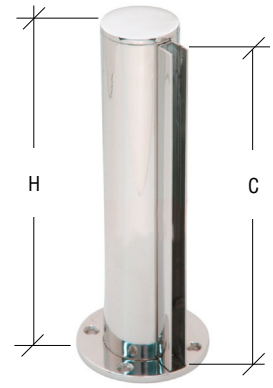


NOTE: If you have more than one style, use a separate form for each style.

Full Length Channel

- 1/4" (6 mm) Channel
- 3/8" (10 mm) Channel

H = Post Height _____"
C = Channel Length _____"

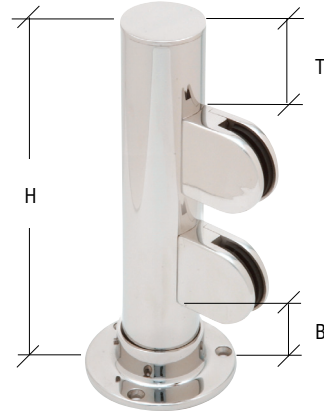


NOTE: Only available on Stainless or Brass Post with Welded Base Plates.

Round Z-Clamps for 2" Diameter Post Only

- 1/4" (6 mm) Z-Clamp
- 3/8" (10 mm) Z-Clamp
- 1/2" (12 mm) Z-Clamp

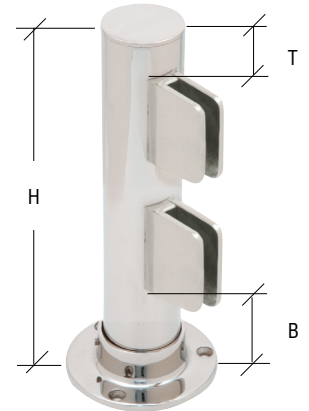
H = Post Height _____"
T = Top of Post to Top of Upper Clamp _____"
B = Bottom of Lower Clamp to Surface of Counter _____"



Square Z-Clamps for 2" Diameter Post Only

- 1/4" (6 mm) Z-Clamp
- 3/8" (10 mm) Z-Clamp
- 1/2" (12 mm) Z-Clamp

H = Post Height _____"
T = Top of Post to Top of Upper Clamp _____"
B = Bottom of Lower Clamp to Surface of Counter _____"

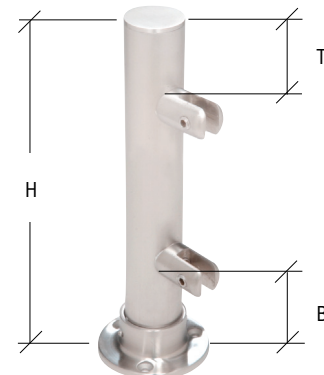


1" Diameter Fixed Glass Fitting for 1-1/2" Diameter Post Only

NOTE: This fitting matches Contemporary Series Posts

- 1/4" (6 mm) Glass Fitting
- 3/8" (10 mm) Glass Fitting

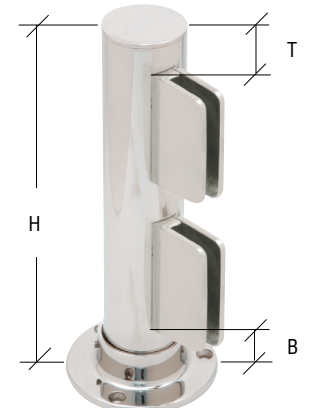
H = Post Height _____"
T = Top of Post to Top of Upper Fitting _____"
B = Bottom of Lower Fitting to Surface of Counter _____"



Glass Clips

- 1/4" (6 mm) Clip
- 3/8" (10 mm) Clip

H = Post Height _____"
T = Top of Post to Top of Upper Clip _____"
B = Bottom of Lower Clip to Surface of Counter _____"

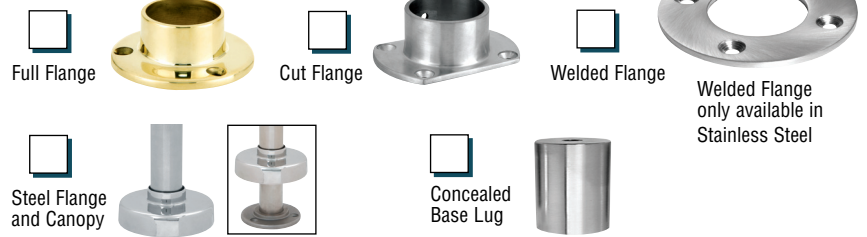


CRL Elegant Series Round Custom Partition Posts Order Form - Page 2 of 2

SELECT A TOP CAP

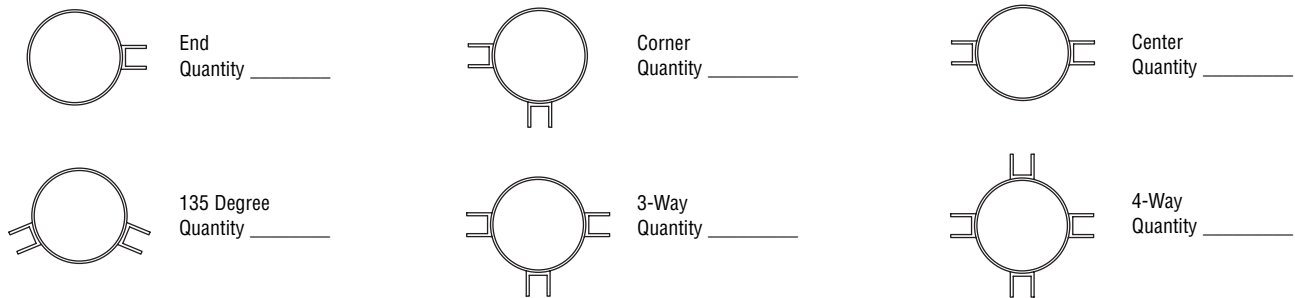


SELECT A BASE MOUNTING

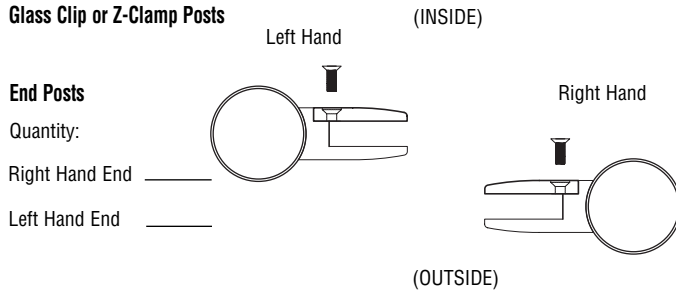


SELECT POST TYPE AND QUANTITY OF EACH

Channel Posts



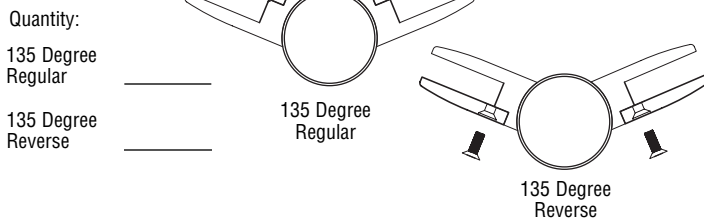
Glass Clip or Z-Clamp Posts



Center Posts



135 Degree Posts

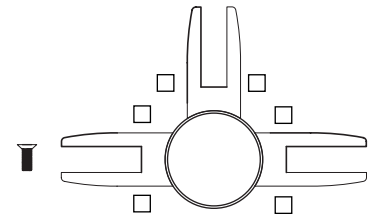


3-Way Posts

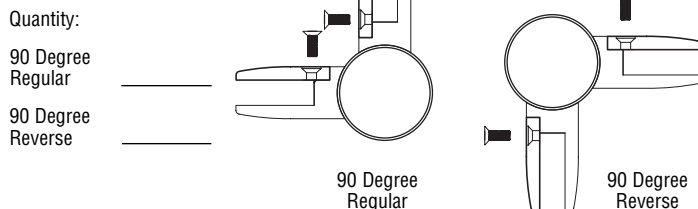
For Z-Clamps and Glass Clips only.

Mark one side of each clamp for the exposed screw location.

Quantity _____



Corner Posts

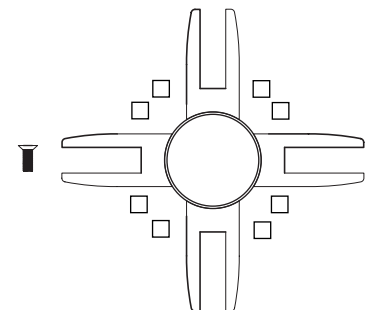


4-Way Posts

For Z-Clamps and Glass Clips only.

Mark one side of each clamp for the exposed screw location.

Quantity _____



Do-It-Yourself Fabrication of Elegant Series Round and Square Partition Posts and Contemporary Series Partition Posts

On the Following 25 Pages are All of the Component Parts You Will Need



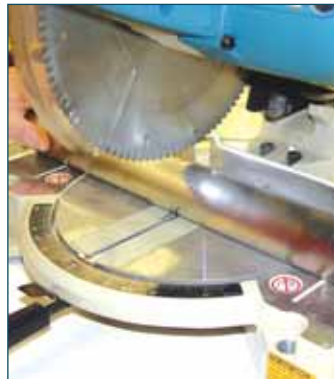
Fabricate the Component Parts Yourself



Select Component Parts



Cut List for Tubing and U-Channel



Cut Tubing and U-Channel



Mark Attachment Points



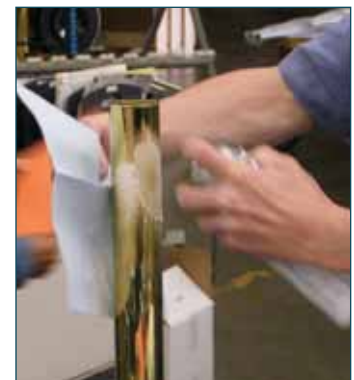
Attach Clamps or U-Channel



Glue Base to Tubing



Glue Cap to Tubing



Clean Post for Installation

Fabricating your own Partition Posts allows you to match existing jobsite conditions with no delay for delivery. By doing it yourself, you eliminate the fabrication, clean up, and packaging charges incurred with pre-fabricated partition posts. Most shops have the equipment needed to fabricate their own posts. Simple planning, fabricating, and assembly time is all that is required. Our Technical Sales Department is always there to help should you need assistance in planning your jobs.

