



# OTC Overhead Track Half Leaf Frameless Bi-Fold Quote/Order Request Form

Email Completed Checklist to [architectural@crlaurence.com](mailto:architectural@crlaurence.com) or fax to Architectural Technical Sales at (800) 587-7501. Then call to discuss: (800) 421-6144 (U.S.), (877) 421-6144 (Canada), or (323) 588-1281 (International). Ask for Extension 17700. This form is also available online at [crlaurence.com](http://crlaurence.com).

COMPANY NAME _____	PHONE _____
CONTACT _____ ACCOUNT NO. _____	FAX _____
JOB NAME _____	EMAIL _____

QUOTE     ORDER P.O. # \_\_\_\_\_    DATE \_\_\_\_\_

**RAIL FINISH**

- Satin Anodized (SA)
- Black Bronze Anodized (DU)
- Brushed Stainless (BS)
- Polished Stainless (PS)
- Polished Brass (PB)
- Satin Brass (SB)
- Black Powder Coat PSP290005 (BL)
- Kynar  
Specify Color: \_\_\_\_\_
- Stocked Powder Coat  
Specify Color: \_\_\_\_\_

**RAIL SIZE / RAIL TYPE**

- 4" Square Rails Only

**GLASS THICKNESS**

- 3/8"
- 1/2"

**LOCK OPTIONS**

- With Lock
- Without Lock

**GUIDE TYPE**

- Recessed (Standard)
- Threshold
- THOT1     THOT2     THOT3

**System Panels must not exceed any of the following guidelines:**  
 Maximum Panel Height: 108" (2.74m)  
 MAXIMUM PANEL WIDTH  
 2 Panels and 4 Panels: 39" (991 mm)  
 3 Panels and 6 Panels: 36" (914 mm)  
 Minimum Panel Width: 15" (381 mm)  
 Maximum Panel Weight: 170 pounds (77 kg)  
 Minimum Door Width with Lock: 15" (381 mm)

**NOTE: Bi-Fold Doors have a maximum of three panels on each side.**

**NOTE: OTC Bi-Fold for Interior Use Only.**

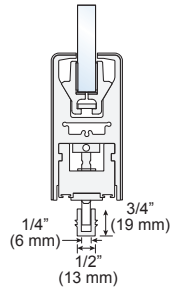
**ADDITIONAL NOTES OR SKETCHES**

<div data-bbox="1068 1818 1550 2011" data-label="Form"> <p><b>FOR OFFICE USE ONLY</b></p> <p>TAKEN BY: _____</p> <p>PRICED BY: _____</p> <p>EDITED BY: _____</p> </div>
---

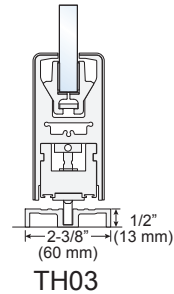
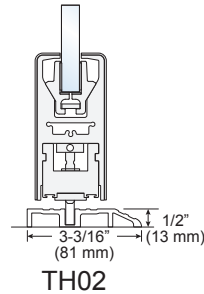
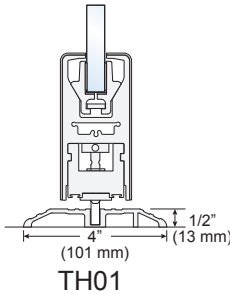
APPROVED BY \_\_\_\_\_ DATE \_\_\_\_\_

**FLOOR GUIDE OPTIONS**

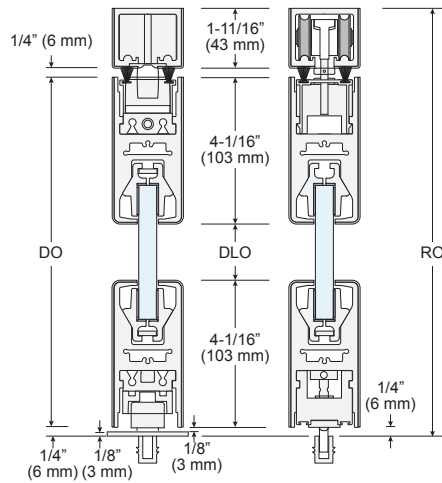
**Recessed**



**Threshold Options**



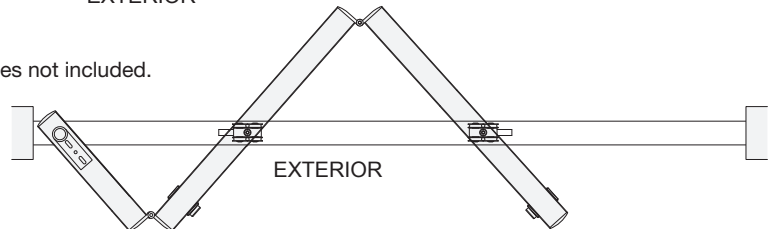
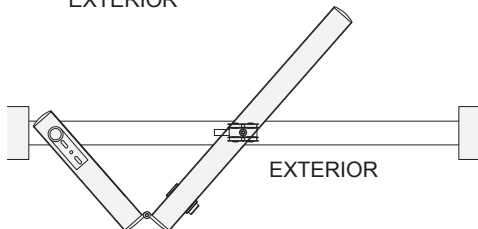
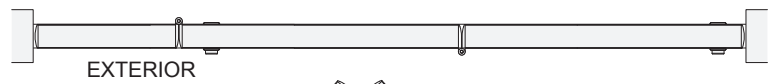
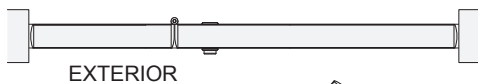
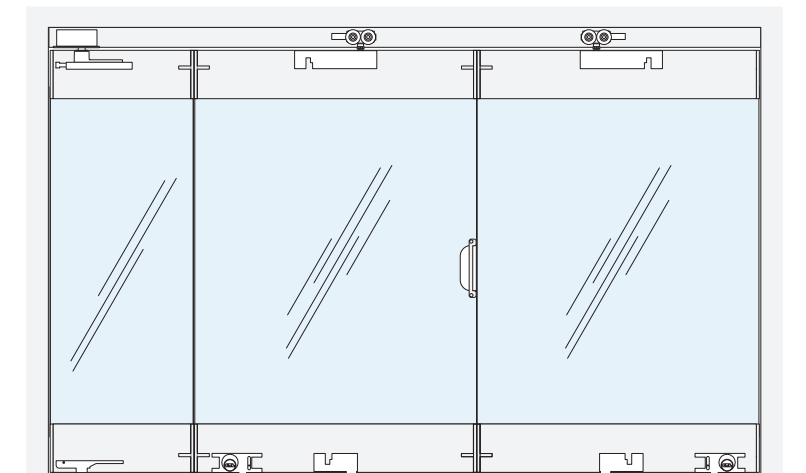
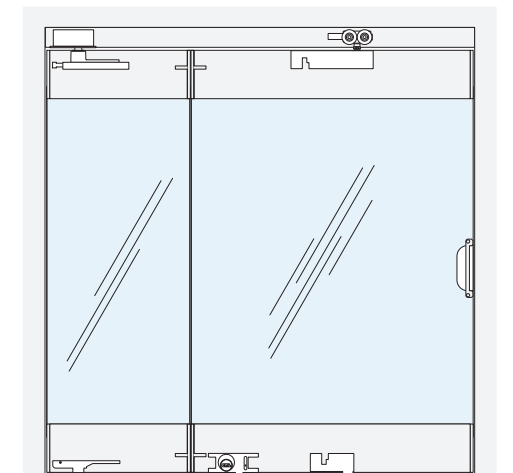
**OTC STANDARD CONFIGURATIONS**



MODEL	MAXIMUM OPENING WIDTH
<b>OTC2</b>	<b>61-1/2" (1.56 m)</b>
<b>OTC3</b>	<b>100-5/8" (2.56 m)</b>
<b>OTC4BP</b>	<b>123" (3.12 m)</b>
<b>OTC6BP</b>	<b>201-1/4" (5.1 m)</b>

**OTC2**  
2 Panel Half Leaf Bi-Fold

**OTC3**  
3 Panel Half Leaf Bi-Fold

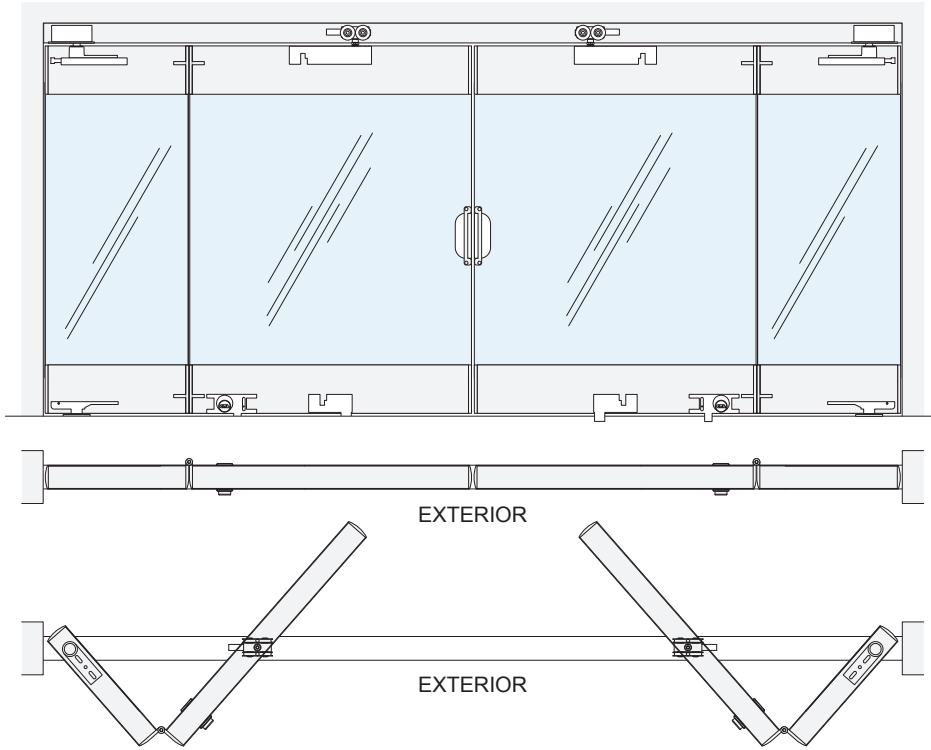


**NOTE:** Handles not included.

**OTC STANDARD CONFIGURATIONS (CONTINUED)**

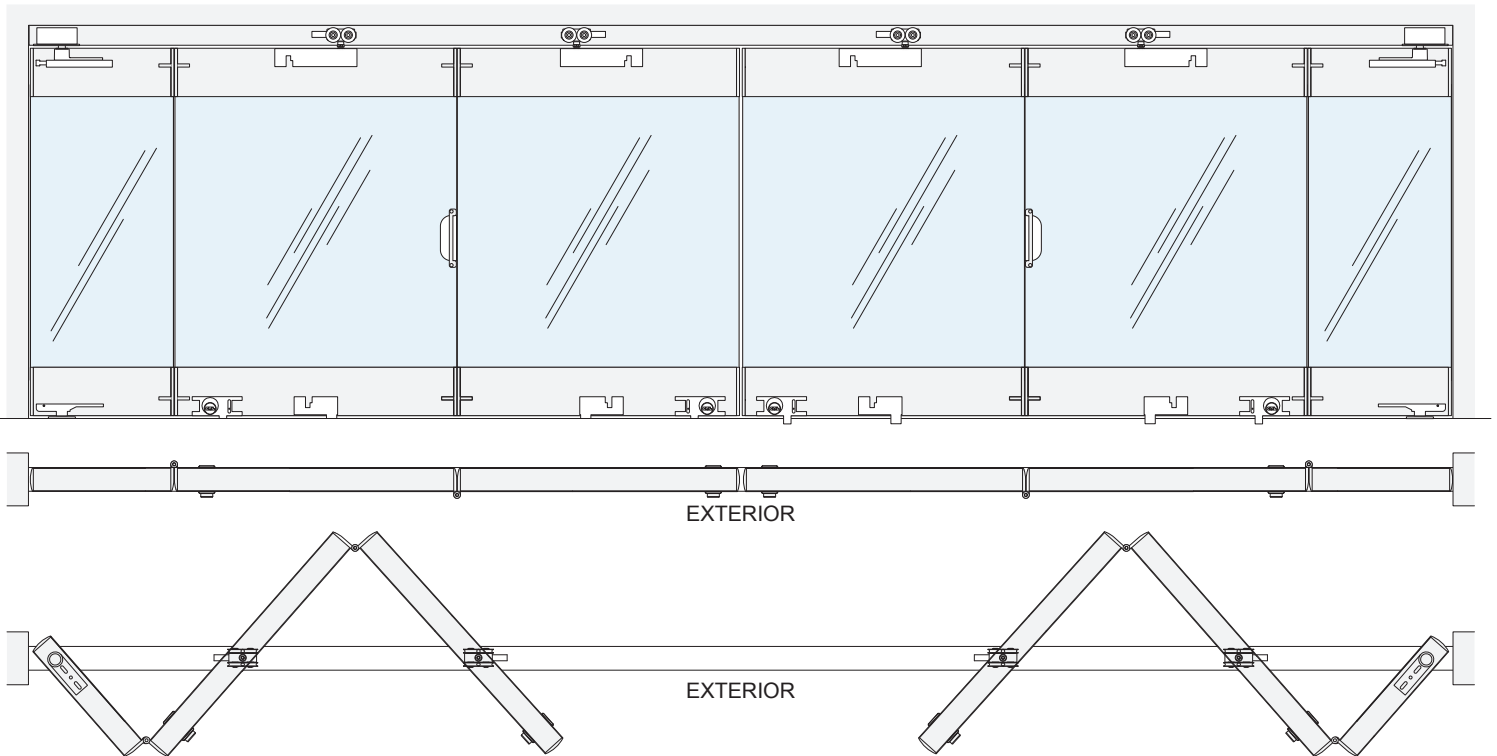
**OTC4BP**

4 Panel Half Leaf Bi-Fold



**OTC6BP**

6 Panel Half Leaf Bi-Fold



**NOTE:** Handles not included.